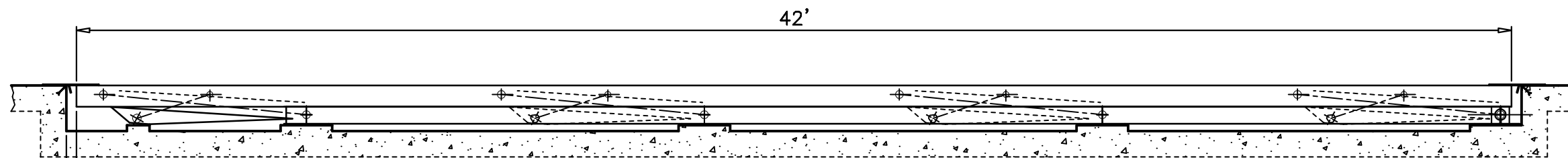


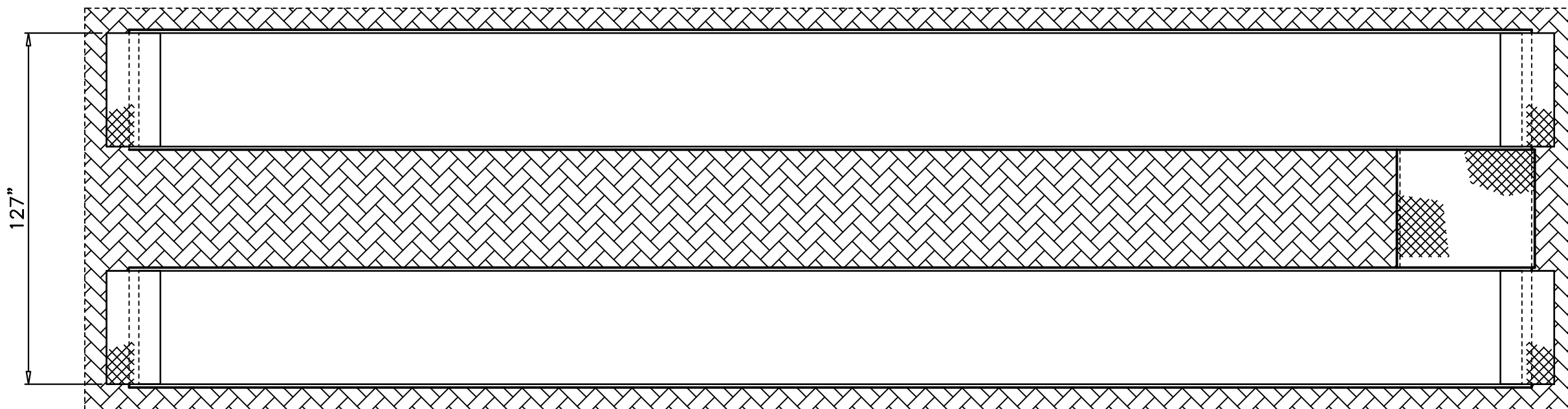
FRONT

SIDE VIEW WITH LIFT AT
MAX POSITION

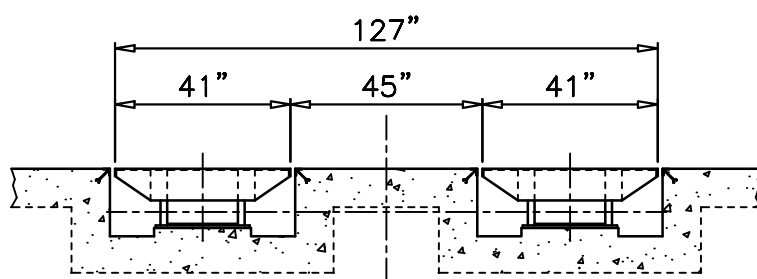
REAR



SIDE VIEW WITH LIFT CLOSED



TOP VIEW

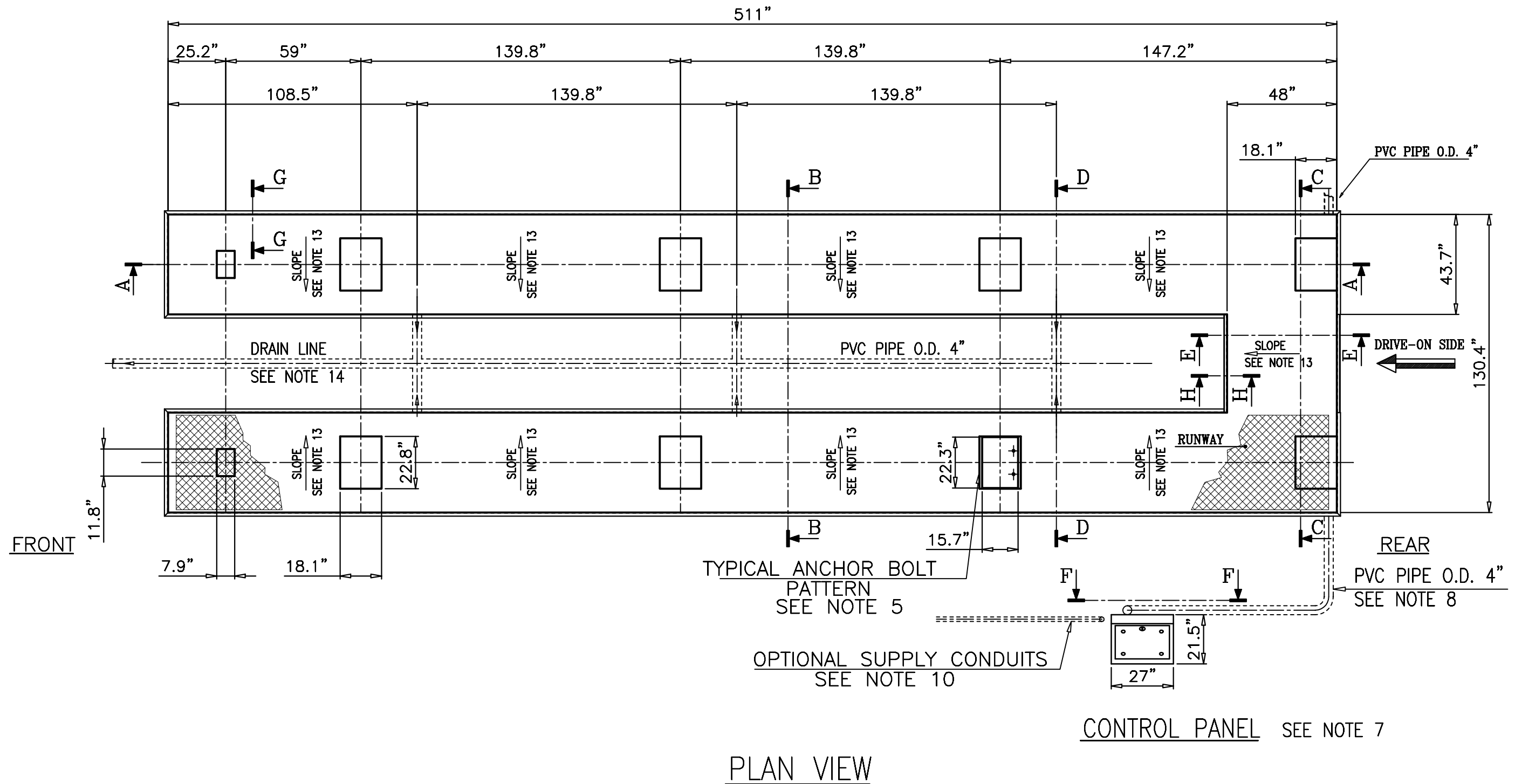


TRANSVERSAL VIEW

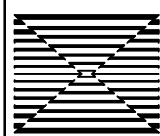
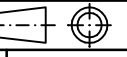
VIEWS SHOWING LIFT UNIT
AND CONCRETE OUTLINE

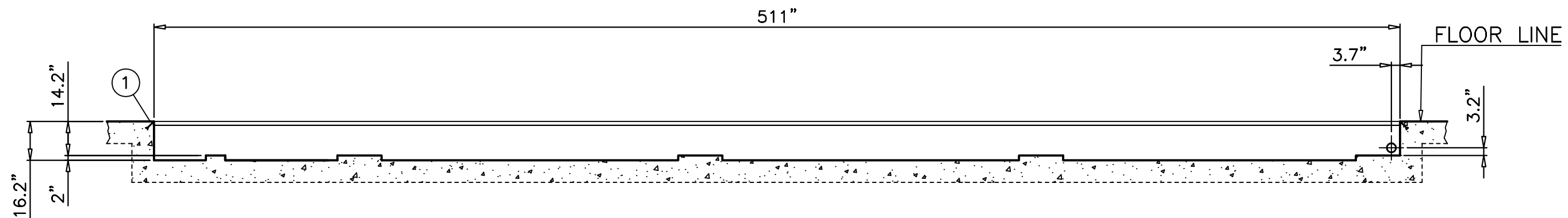
REVISIONS	DATE	SIGNATURE	APPROVED	Q.A.
n				
m				
l				
i				
h				
g				
f				
e				
d				
c				
b				
a				

CUSTOMER		CONTINUOUS BASE -FLUSH MOUNT-				
WORK ORDER		VEGA 450/99 H=73" W=45" PF=41" L=42'				
Tot. Q.ty						
<p>O.M.E.R. S.p.A.</p>	SCALE	1:45	DATE	26/06/04		
	DRAFTSMAN	MINTO	CHECKED			APPROVAL
	DWG. N°	03	SHEET N°			
	FILE	e:/istruz/vega450/vega450cb73		OF SHEET		
			v450cb42_03_06_h73_w45_pf41_ds	REV.		
<small>The information contained herein is property of O.M.E.R. spa_ This material cannot be reproduced nor used , all or in part , without written authorization from O.M.E.R. spa_</small>						

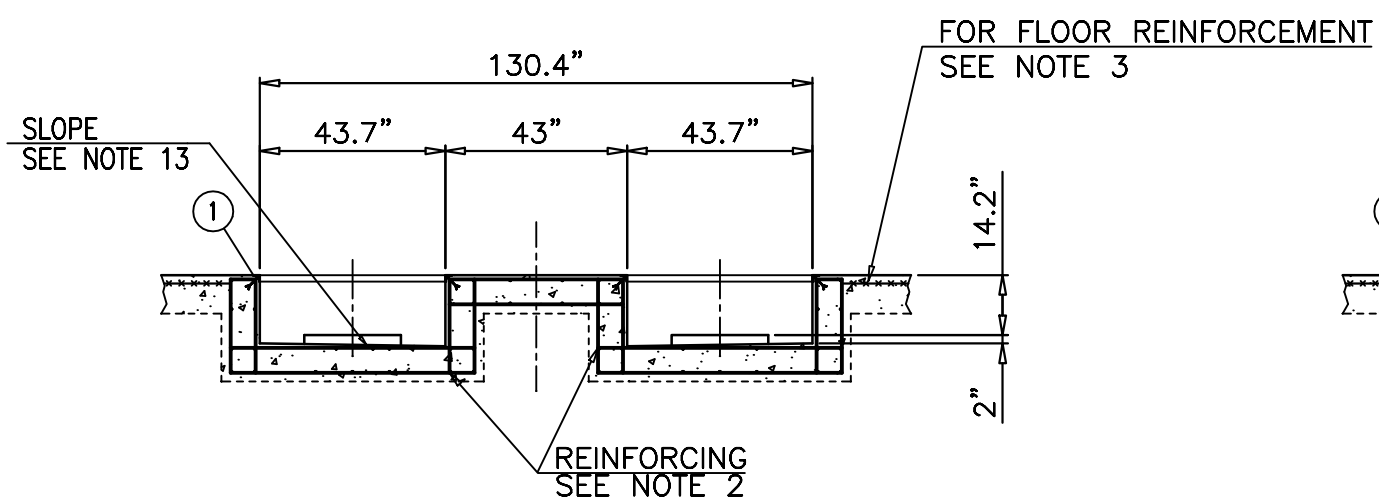


n
m
l
i
h
g
f
e
d
c
b
a
REVISIONS
DATE
SIGNATURE
APPROVED
Q.A.

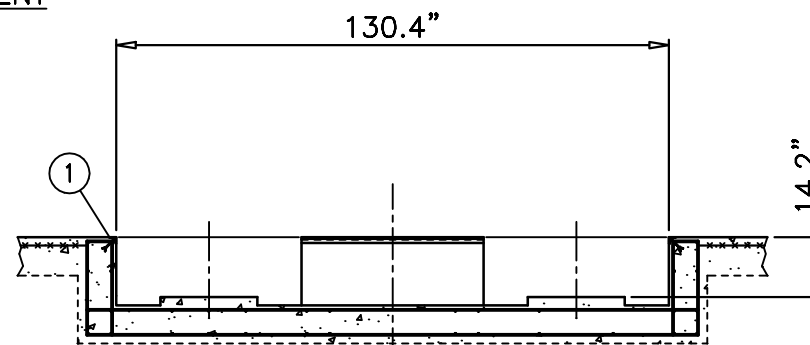
CUSTOMER		CONTINUOUS BASE -FLUSH MOUNT-				
WORK ORDER		VEGA 450/99 H=73" W=45" PF=41" L=42'				
Tot. Q.ty						
 O.M.E.R. s.p.a.	SCALE	1:45	DATE	25/06/04		
	DRAFTSMAN	MINTO	CHECKED			APPROVAL
	DWG. N°	04		SHEET N°		
	<small>The information contained herein is property of O.M.E.R. spa_ This material cannot be reproduced nor used , all or in part , without written authorization from O.M.E.R. spa_</small>				FILE	e:/istruz/vega450/vega450cb73
				v450cb42_03_06_h73_w45_pf41_ds	OF SHEET	REV.



SECTION A-A

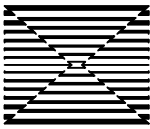
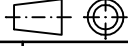


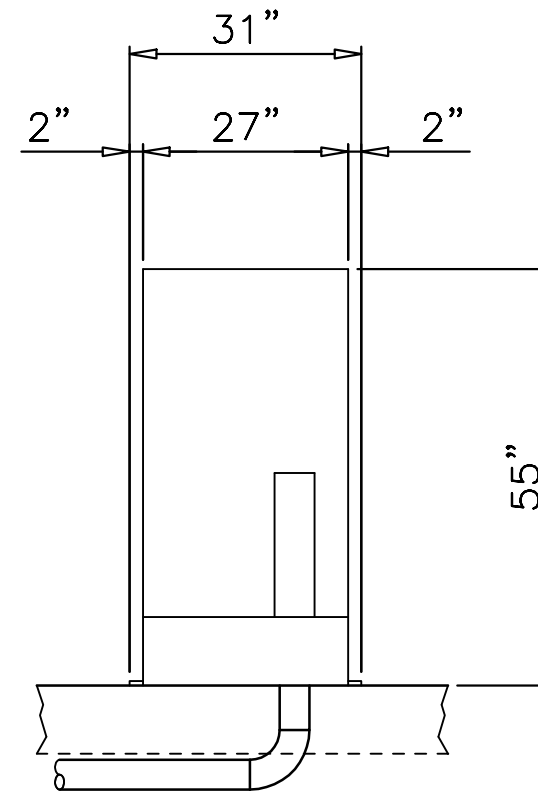
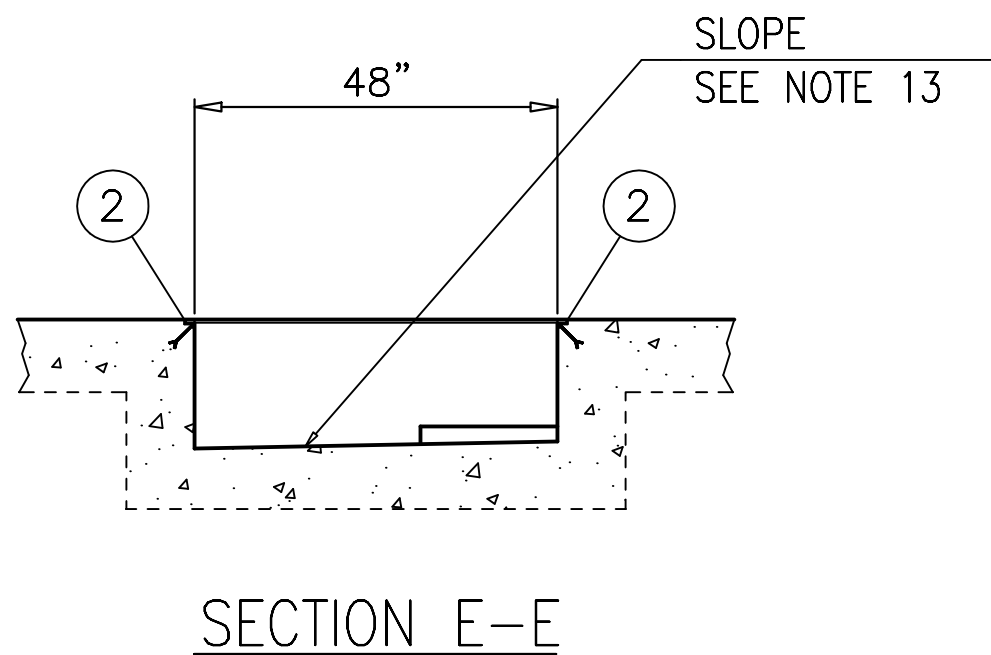
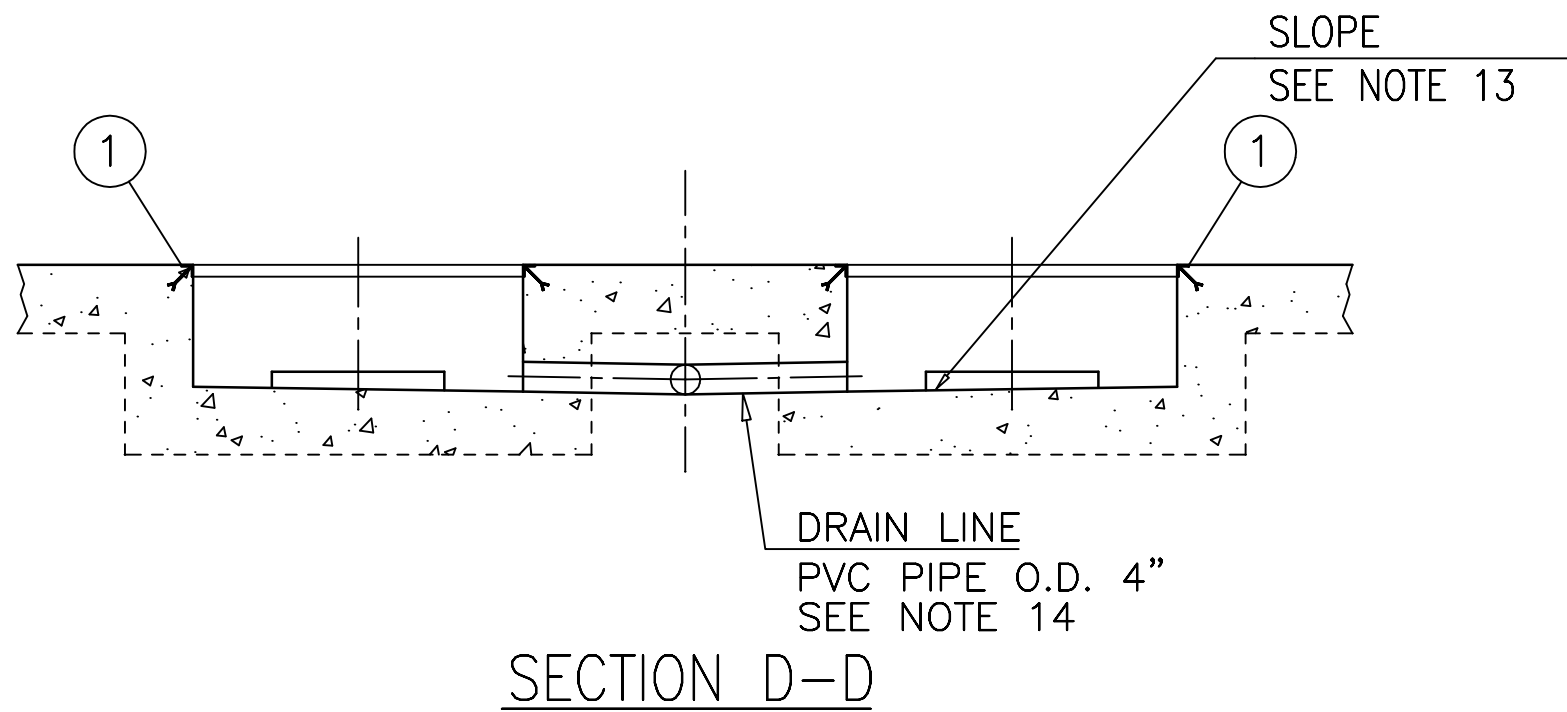
SECTION B-B



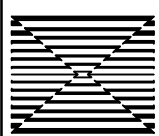
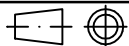
SECTION C-C

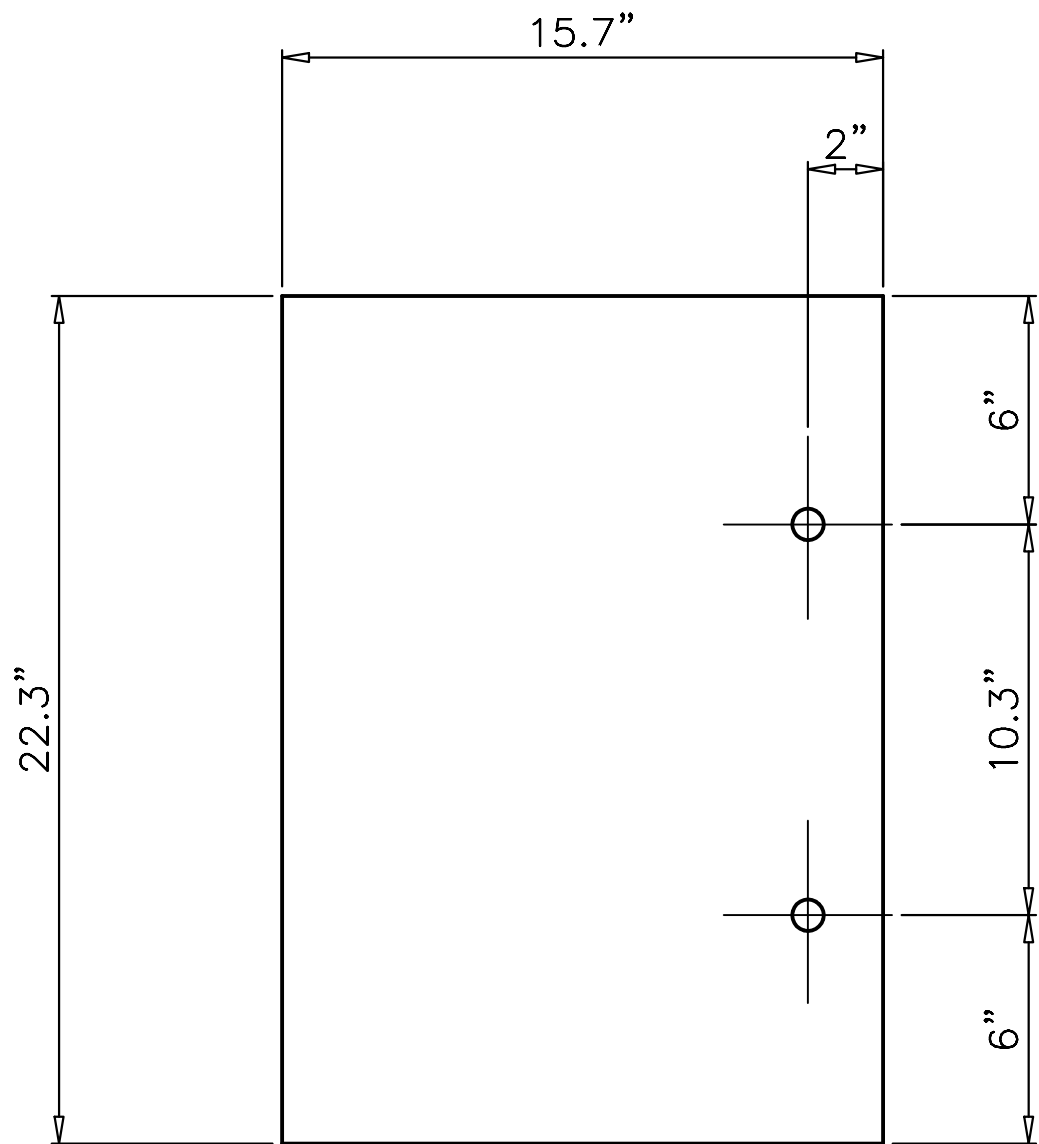
											n
											m
											l
											i
											h
											g
											f
											e
											d
											c
											b
											a
											REVISIONS DATE
											SIGNATURE
											APPROVED
											Q.A.

CUSTOMER		CONTINUOUS BASE -FLUSH MOUNT-					
WORK ORDER		VEGA 450/99 H=73" W=45" PF=41" L=42'					
Tot. Q.ty							
 O.M.E.R. S.p.A.	SCALE	1:45	DATE	25/06/04			
	DRAFTSMAN	MINTO	CHECKED		APPROVAL		Q.A.
	DWG. N°	05		SHEET N°			
	FILE	e:/istruz/vega450/vega450cb73		OF SHEET			REV.
<small>The information contained herein is property of O.M.E.R. spa_ This material cannot be reproduced nor used , all or in part , without written authorization from O.M.E.R. spa_</small>							
v450cb42_03_06_h73_w45_pf41_ds							

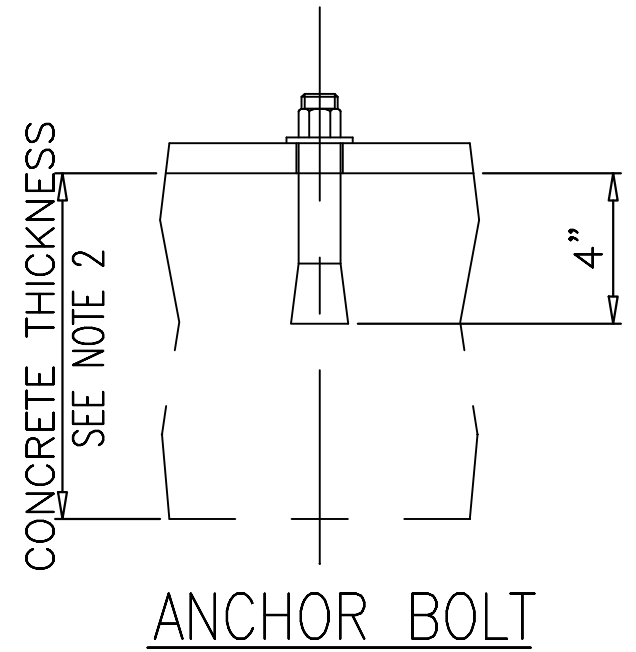
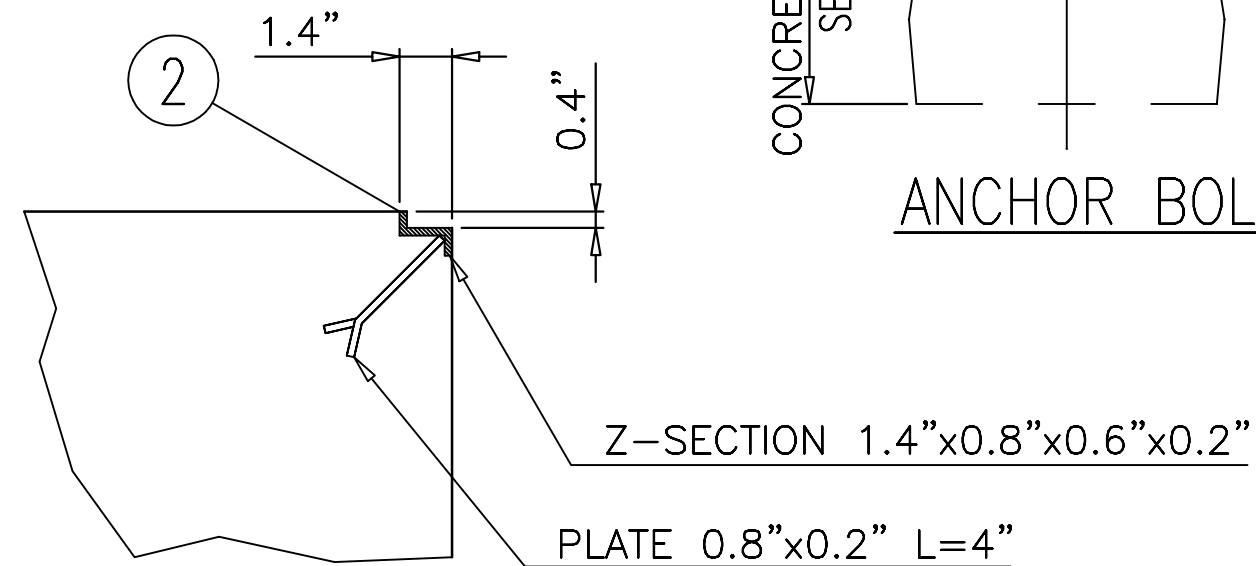
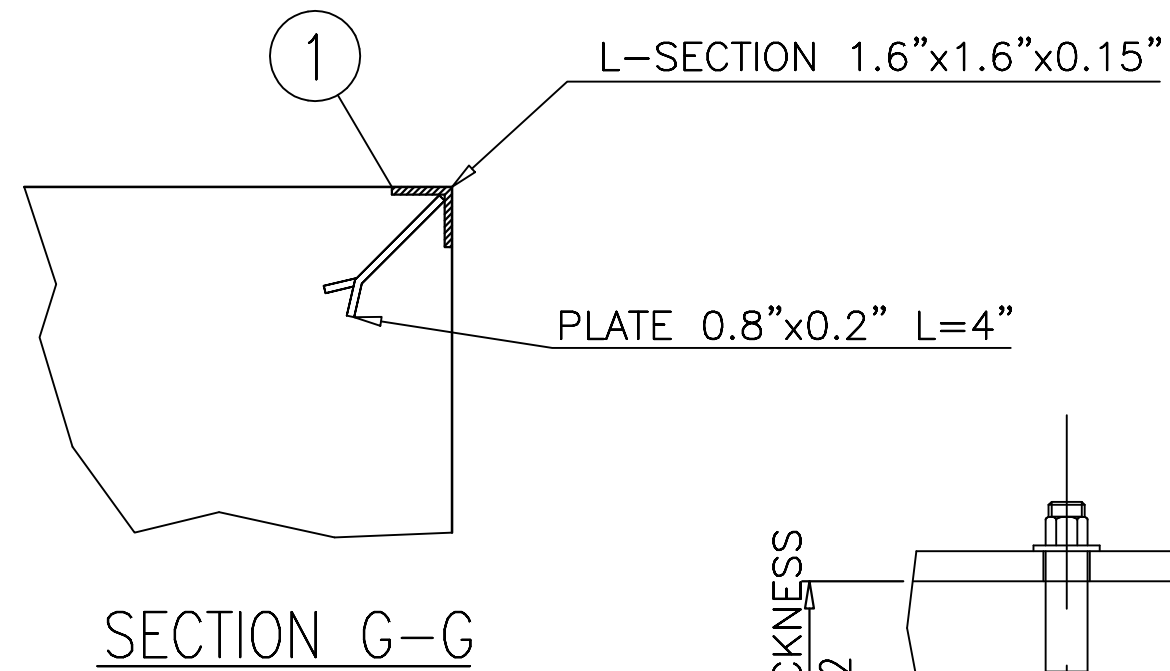


REVISIONS	DATE	SIGNATURE	APPROVED	Q.A.
n				
m				
l				
i				
h				
g				
f				
e				
d				
c				
b				
a				

CUSTOMER		CONTINUOUS BASE -FLUSH MOUNT-				
WORK ORDER	VEGA 450/99 H=73" W=45" PF=41" L=42'					
Tot. Q.ty						
	O.M.E.R. S.p.A.		SCALE 1:25	DATE 25/06/04		
			DRAFTSMAN MINTO	CHECKED		APPROVAL
			DWG. N° 06	SHEET N°		
The information contained herein is property of O.M.E.R. spa_ This material cannot be reproduced nor used, all or in part, without written authorization from O.M.E.R. spa_			FILE e/istruz/vega450/vega450cb73		OF SHEET	
			v450cb42_03_06_h73_w45_pf41_ds		REV.	



FOOTPRINT BOLT PATTERN



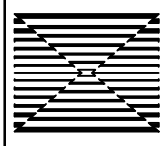
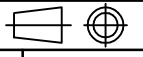
n											
m											
l											
i											
h											
g											
f											
e											
d											
c											
b											
a											
	REVISIONS	DATE	SIGNATURE	APPROVED	Q.A.						

CUSTOMER		CONTINUOUS BASE - TYPICAL FOOTPRINT BOLT PATTERN									
WORK ORDER		VEGA 450/99 H=73" - H=77"									
Tot. Q.ty											
	O.ME.R. S.p.A.	SCALE 1:5	DATE 15/05/00								
		DRAFTSMAN MINTO	CHECKED	APPROVAL	Q.A.						
<small>The information contained herein is property of O.ME.R. spa_ This material cannot be reproduced nor used , all or in part , without written authorization from O.ME.R. spa_</small>		DWG. N° 07	SHEET N°								
		FILE e/istruz/vega450/v450cb73	OF SHEET	REV.							
		v450cb42_07									

TABLE 1	MODEL: VEGA 450/99 L=42'
LOAD CAPACITY (lb)	99,000
NUMBER OF BOLTS/ LEG/ CB	2
NUMBER OF BOLTS / LEG / OF	11
BOLT DIAMETER/CB	M16x140
BOLT DIAMETER/OF	M24x215
F _x max (lb)*	211,351
F _y (lb)*	8,254
F _x (lb)*	171,338
F _y max (lb)*	30,850
POWER MOTOR (HP)	20
ELECTRICAL VOLTAGE	208V 62A 60Hz 3PH 230V 56A 60Hz 3PH 460V 28A 60Hz 3PH
HYDRAULIC CYLINDER DIAMETER	5.7"
RESERVOIR CAPACITY (Gallons)	19
WEIGHT/CB (lb)	20,768
WEIGHT/OF (lb)	19,448

* VERTICAL COMPONENTS F_y AND HORIZONTAL COMPONENTS F_x WHICH THE BASES MUST TRANSMIT TO THE FOOT OF THE LEGS. SINCE THE MAXIMUM MODULS OF F_y AND F_x ARE NOT SYNCHRONIC TWO DIFFERENT TABLES HAVE BEEN PREPARED.

n			
m			
l			
i			
h			
g			
f			
e			
d			
c			
b			
a			
REVISIONS	DATE	SIGNATURE	APPROVED
			Q.A.

CUSTOMER		TABLE PROPERTY			
WORK ORDER	VEGA 450/99 H=73" - H=77" L=42'				
Tot. Q.ty					
	SCALE		DATE 18/04/00		
	DRAFTSMAN	CHECKED	APPROVAL	Q.A.	
	GOBBO F.				
	DWG. N°	15	SHEET N°		
The information contained herein is property of O.M.E.R. spa_ This material cannot be reproduced nor used, all or in part, without written authorization from O.M.E.R. spa_			FILE E/ISTRUZ/INFOGENERAL	OF SHEET	REV.

GENERAL INFORMATION

NOTE 1

IN ORDER TO POUR THE PIT CONCRETE SHALL HAVE A MINIMUM RESISTENCE OF 4000 PSI COMPLETE WITH METAL CAGES.

NOTE 2

THE QUALITY AND MODEL OF SUCH CAGES AS SUPPORT FOR THE CONCRETE ON WALLS AND ON PITS BASE SHALL BE DETERMINED BY CALCULATIONS OF AN ENGINEER AND/OR ARCHITECT AND SHALL BE DECIDED ACCORDING TO THE FLOOR CONDITIONS AND TO THE MAXIMUM CAPACITY ON THE LIFT.

NOTE 3

THE PIT EDGES MUST BE REINFORCED WITH A PROFILE WHOSE SPECIFICATIONS SHALL BE DETERMINED BY AN ENGINEER AND/OR ARCHITECT.

NOTE 4

AFTER THE CONCRETE HAS BEEN POURED FOR THE PIT CONSTRUCTION, LET IT DRY FOR APPROXIMATELY ONE MONTH PRIOR TO PROCEED WITH THE DRILLING OPERATIONS FOR THE LIFT ANCHORAGE TO THE PIT FLOOR.
THE RESISTENCE OF REINFORCED CONCRETE WITH 4000 PSI MUST ACT AS A SUPPORT FOR BOTH VERTICAL LOADS AND HORIZONTAL OPERATIONS PERFORMED BY THE LEG OF THE LIFT WITH FULL LOAD.

NOTE 5

THE LEGS OF THE LIFT ARE FITTED – AT THEIR BASE – WITH PRE-DRILLED PLATES SUITABLE FOR THE ANCHORAGE OF THE LIFT TO THE PIT FLOOR BY MEANS OF ANCHORING BOLTS. THE NUMBER OF BOLTS MUST BE ENOUGH TO STRONGLY FIX THE LIFT TO THE PIT FLOOR AND TO AVOID ANY MOVEMENT.
IN THE "USE AND MAINTENANCE BOOK" YOU CAN FIND ALL INSTRUCTIONS FOR A PROPER POSITIONING OF THE LIFT ON THE PIT, FOR ITS ANCHORAGE AND FOR THE KIND OF BOLTS TO BE USED.

NOTE 6

THE METAL CAGES FOR THE CONCRETE REINFORCEMENT SHALL BE PLACED AT PIT BASE EDGE, SO AS NOT TO INTERFERE WITH THE ANCHORING BOLTS.

NOTE 7

THE CONTROL PANEL MUST BE PLACED IN A POSITION SUITABLE FOR GRANTING THE OPERATOR A COMPLETE VIEW OF THE VEHICLE TO BE LIFTED AND OF THE SURROUNDING WORKING AREA.

NOTE 8

PROVIDE A 4 INCHES PVC PIPE AS SERVICE CONDUIT FOR HYDRAULIC AND PNEUMATIC PIPE SYSTEM, WHICH RUNS FROM THE CONTROL PANEL TO ONE END OF TORSION BAR.
THE CONDUIT SHALL BE POSITIONED UNDER THE FLOOR OF THE WORKSHOP, IN ACCORDANCE WITH LOCAL REGULATIONS.

NOTE 9

PROVIDE TEMPORALY PLUGS OR CAPS FOR ALL OPENINGS OF SERVICE CONDUITS.

NOTE 10

UPON REQUEST, IT IS POSSIBLE TO PROVIDE – UNDER THE FLOOR OF THE WORKSHOP TWO CONDUITS LEADING FROM GARAGE SUPPLY TO THE CONTROL PANEL.
ONE CONDUIT WILL PROVIDE ELECTRICAL FEEDING AND THE OTHER ONE PNEUMATIC FEEDING. ALTERNATIVELY, SAME PIPES CAN BE BROUGHT TO THE CONTROL PANEL FROM ABOVE, IN ACCORDANCE WITH LOCAL REGULATIONS.

NOTE 11

TABLE 1 SHOWS THE TECHNICAL CHARACTERISTICS OF THE LIFT.
THE LOAD INDICATED REPRESENT REACTIONS RELEASED ON THE FLOOR WHEN THE LIFT IS LOADED UNDER CONDITIONS SET FORTH BY THE REGULATIONS IN FORCE.

NOTE 12

IF A SLOPE OF THE PIT FLOOR IS REQUESTED FOR THE DRAINAGE, THE LIFT WILL BE INSTALLED BY CAREFULLY CHECKING THE LEVELING OF RUNWAYS ALL ALONG THEIR LENGTH.

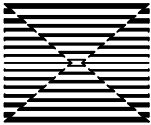

NOTE 13

THE PIT FLOOR IS TO BE SLOPED TOWARD THE DRAINAGE RELEASE OF 1/16"/FEET.

NOTE 14

THE DRAINAGE OF THE PIT MUST BE CONNECTED WITH A 4 INCHES PVC PIPE, WHICH MUST BE SLOPED OF 1/8"/FEET REACHING THE COLLECTOR OIL-WATER DIVISOR.

n			
m			
l			
i			
h			
g			
f			
e			
d			
c			
b			
a			
REVISIONS	DATE	SIGNATURE	APPROVED
			Q.A.

CUSTOMER		GENERAL INFORMATION			
WORK ORDER	MODEL: VEGA 120/26; 180/40; 240/50; 340/75; 450/99				
Tot. Q.ty					
	O.M.E.R. S.p.A.		SCALE	DATE 14/04/00	
	DRAFTSMAN	CHECKED	APPROVAL	Q.A.	
	GOBBO F.				
		DWG. N°	16	SHEET N°	
The information contained herein is property of O.M.E.R. spa_ This material cannot be reproduced nor used, all or in part, without written authorization from O.M.E.R. spa_		FILE E/ISTRUZ/INFOGENERAL		OF SHEET	REV.